

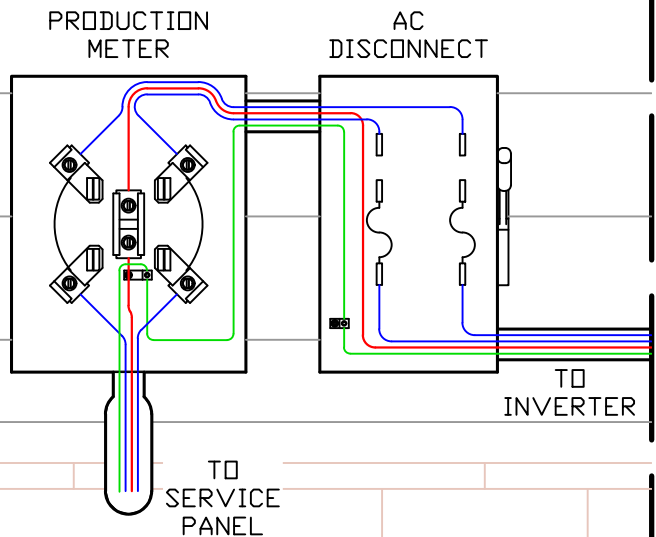
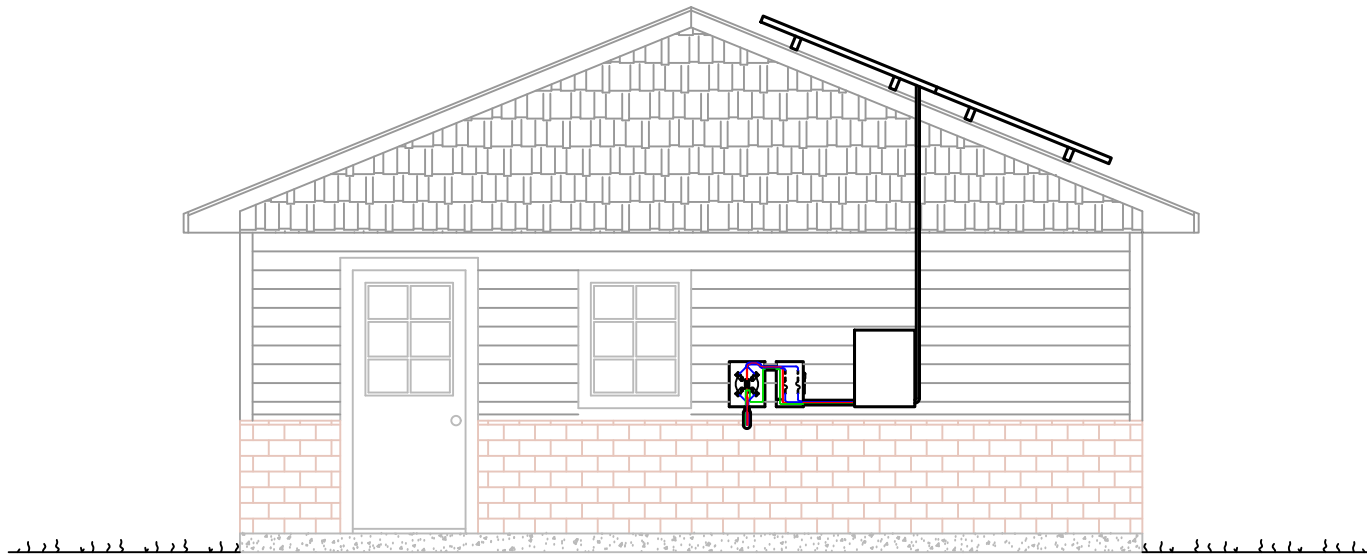


**Citizens**  
Electric Corporation

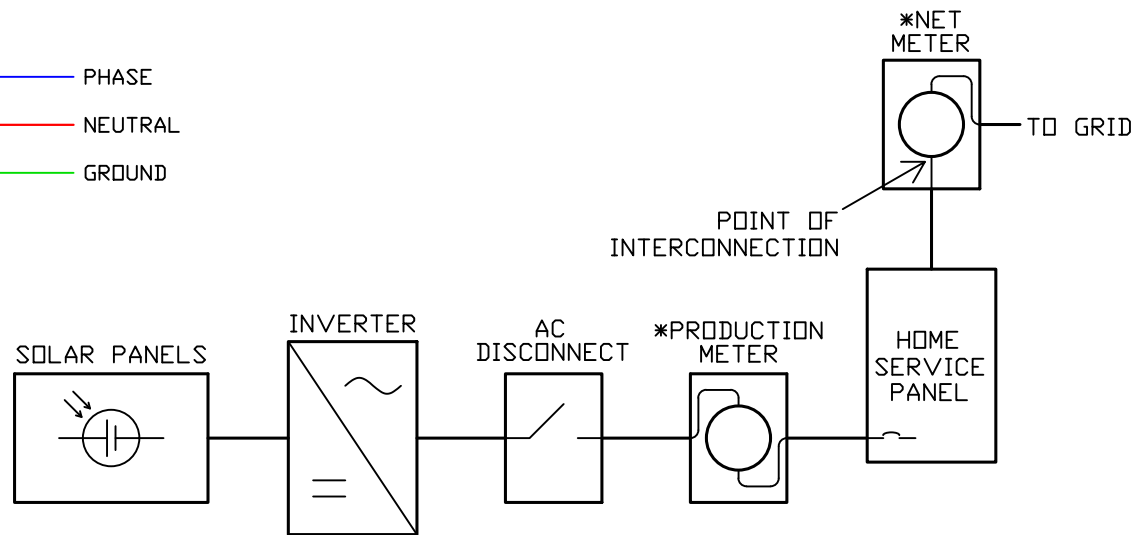
A Touchstone Energy® Cooperative 

# NET METERING GUIDELINES

REVISED  
MARCH 2021



——— PHASE  
 ——— NEUTRAL  
 ——— GROUND



**NET METERING**

**CITIZENS ELECTRIC CORPORATION  
PERRYVILLE, MISSOURI**

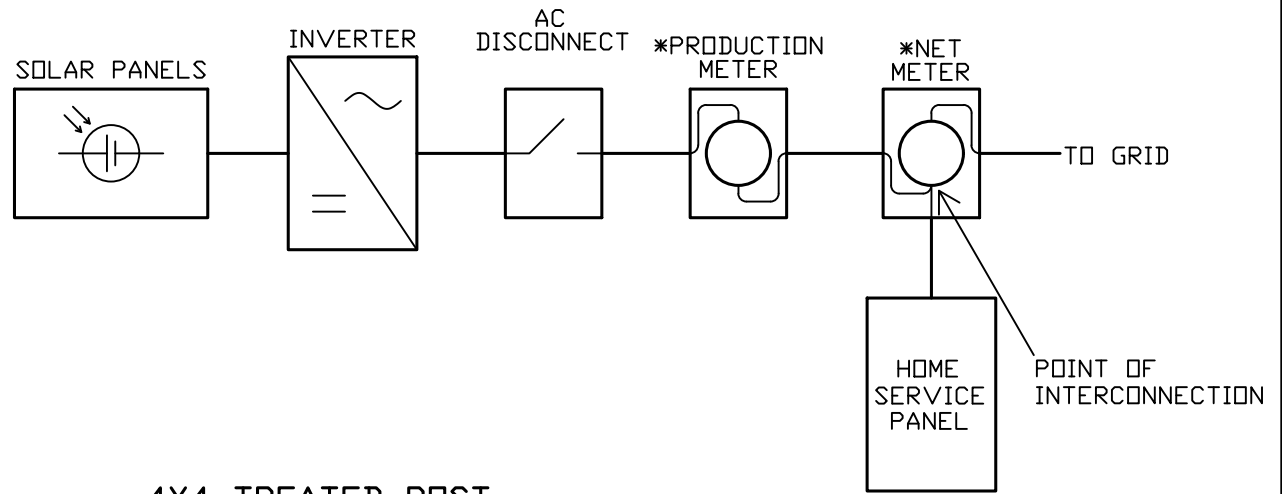
**INVERTER FED FROM  
FEEDER BREAKER**

\* ALL METERS AND METER BASES ARE SUPPLIED BY CEC.

CEC REQUIRES INSTALLATION OF A LOCKABLE, MANUAL AC DISCONNECT DEVICE WITH VISIBLE OPENING ACCESSIBLE TO UTILITY.

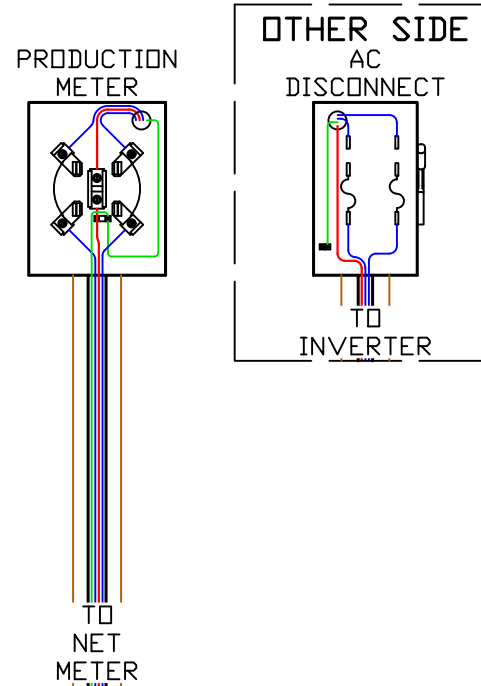
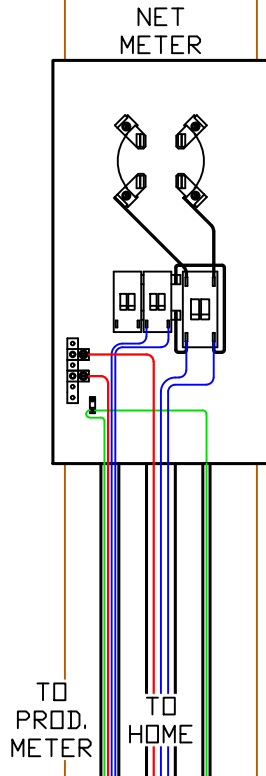
AC DISCONNECT IS SUPPLIED BY MEMBER.

NO.	DATE	REVISION	DWN.	APPD.
PRJ.		DWN. E. ADKINS	CHKD. J. CATES	FILE:
DATE 1/18/2021	SCALE:	APPD. J. CATES		



UTILITY POLE

4X4 TREATED POST,  
6' MINIMUM FROM  
UTILITY POLE



**NET METERING**

**CITIZENS ELECTRIC CORPORATION**  
PERRYVILLE, MISSOURI

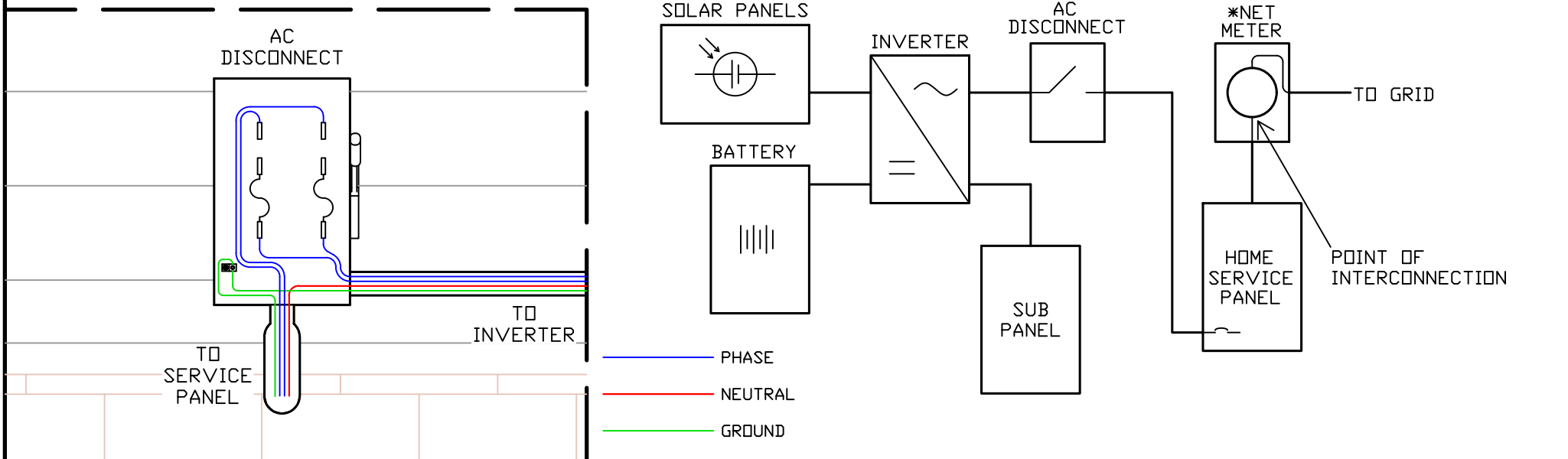
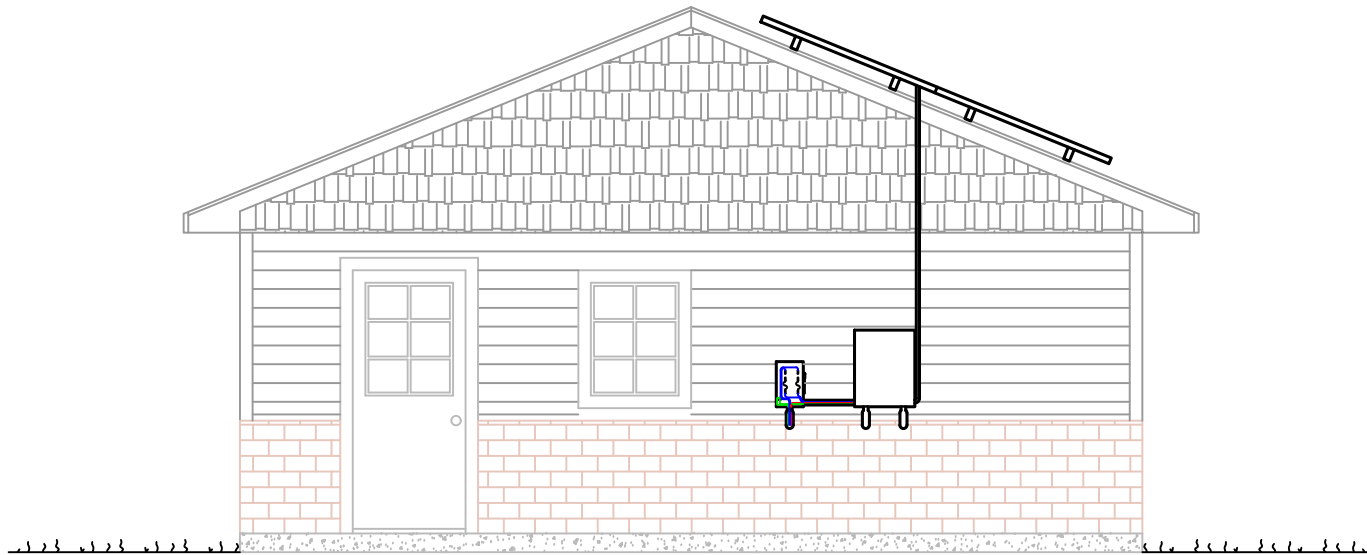
**INVERTER FED FROM  
UTILITY METER**

\* ALL METERS AND METER BASES ARE SUPPLIED BY CEC.

CEC REQUIRES INSTALLATION OF A LOCKABLE, MANUAL AC DISCONNECT DEVICE WITH VISIBLE OPENING ACCESSIBLE TO UTILITY.

AC DISCONNECT IS SUPPLIED BY MEMBER.

NO.	DATE	REVISION	DWN.	APPD.
PRD.J.		DWN. E. ADKINS	CHKD. J. CATES	FILE:
DATE 1/18/2021	SCALE:	APPD. J. CATES		



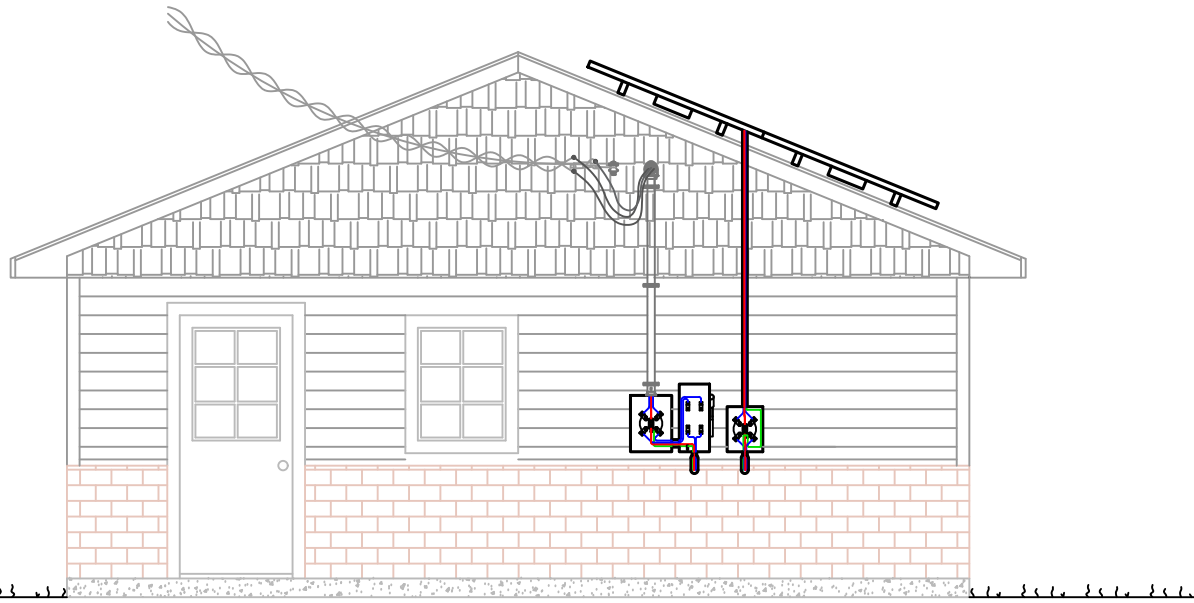
**NET METERING**

**CITIZENS ELECTRIC CORPORATION  
PERRYVILLE, MISSOURI**

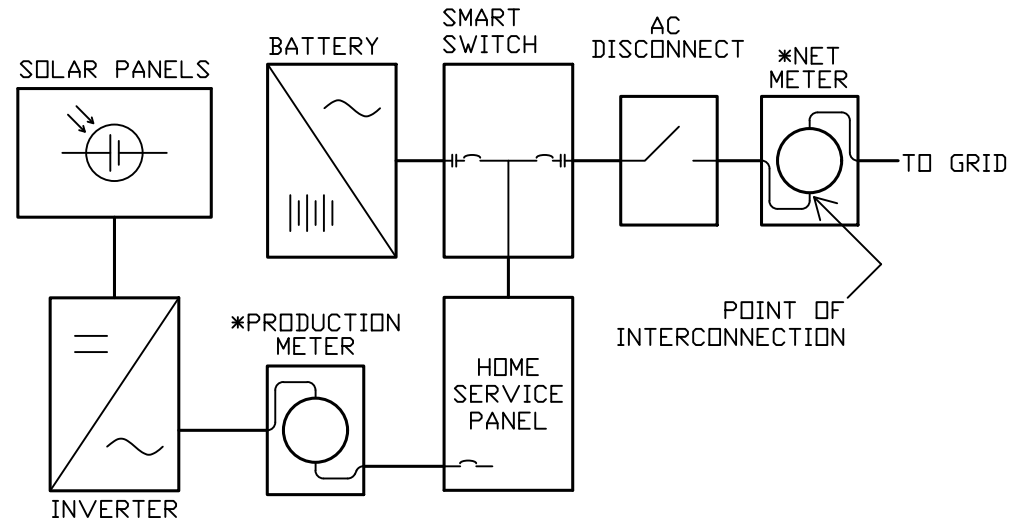
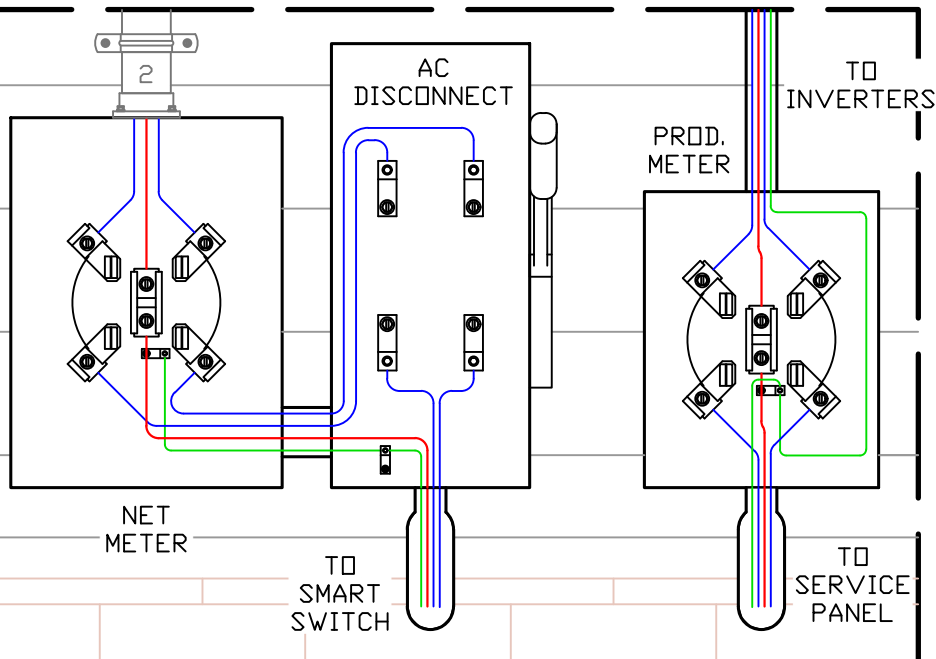
**INVERTER FED FROM  
FEEDER BREAKER WITH  
BATTERY BACKUP**

NO.	DATE	REVISION	DWN.	APPD.
PRD.J.		DWN. E. ADKINS	CHKD. J. CATES	FILE:
DATE 1/18/2021	SCALE:	APPD. J. CATES		

\* ALL METERS AND METER BASES ARE SUPPLIED BY CEC.  
CEC REQUIRES INSTALLATION OF A LOCKABLE, MANUAL AC DISCONNECT DEVICE WITH VISIBLE OPENING ACCESSIBLE TO UTILITY.  
AC DISCONNECT IS SUPPLIED BY MEMBER.



— PHASE  
 — NEUTRAL  
 — GROUND



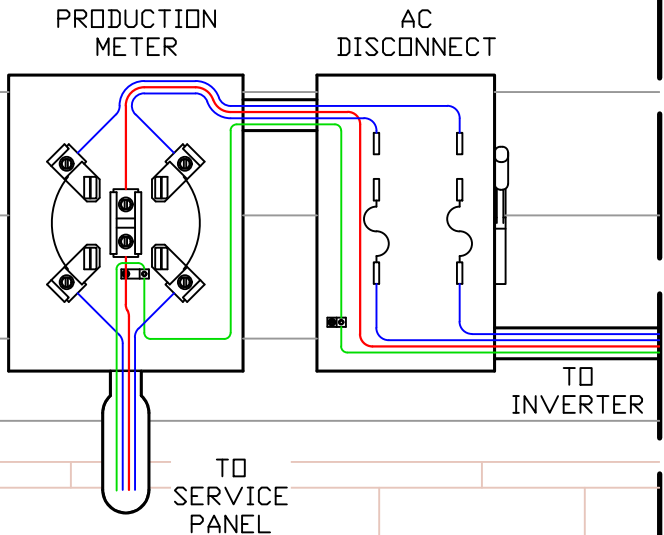
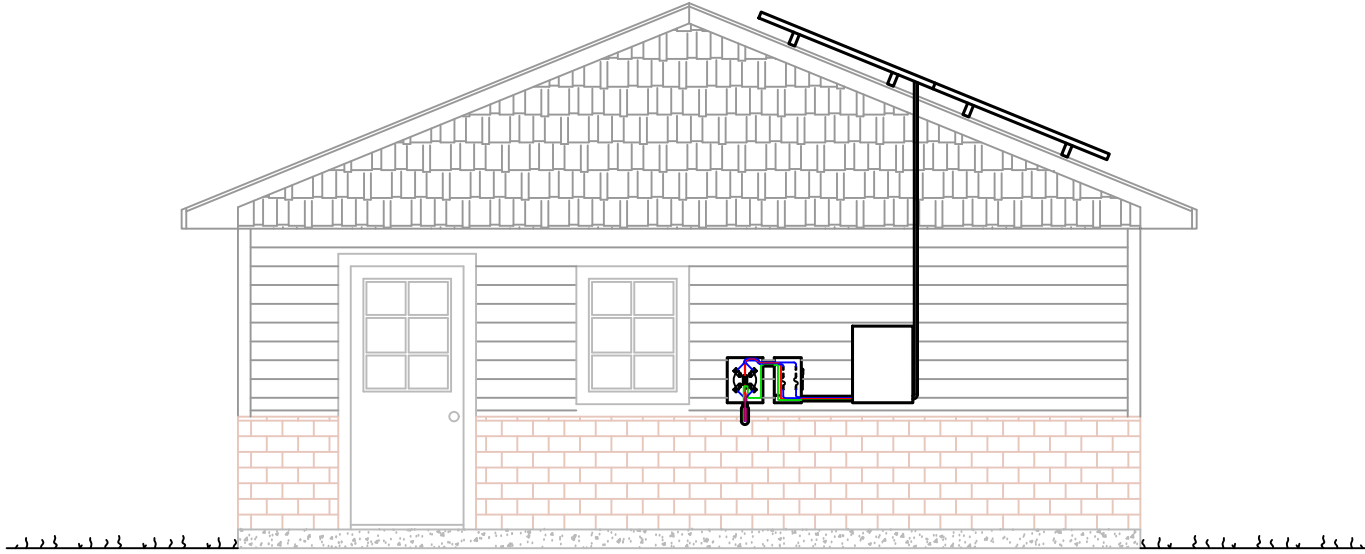
**NET METERING**

**CITIZENS ELECTRIC CORPORATION**  
PERRYVILLE, MISSOURI

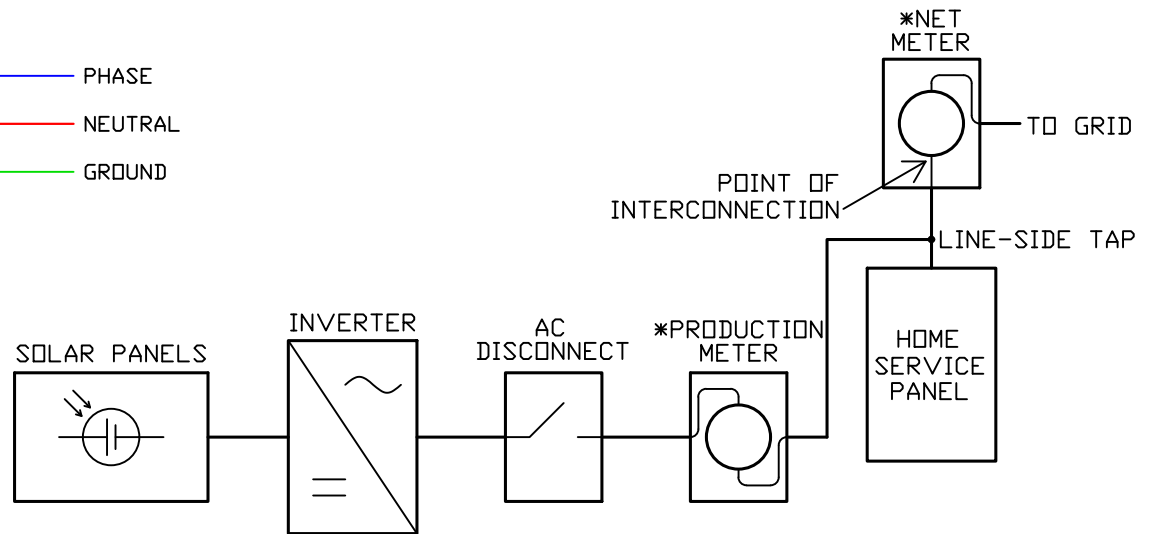
**INVERTER FED FROM FEEDER  
BREAKER W/ BATTERY BACKUP  
& MICROINVERTERS**

NO.	DATE	REVISION	DWN.	APPD.
PRJ.				
DATE	1/18/2021	SCALE		
		DWN. E. ADKINS	CHKD. J. CATES	FILE
		APPD. J. CATES		

\* ALL METERS AND METER BASES ARE SUPPLIED BY CEC.  
 CEC REQUIRES INSTALLATION OF A LOCKABLE, MANUAL AC DISCONNECT DEVICE WITH VISIBLE OPENING ACCESSIBLE TO UTILITY.  
 AC DISCONNECT IS SUPPLIED BY MEMBER.



— PHASE  
 — NEUTRAL  
 — GROUND



**NET METERING**

**CITIZENS ELECTRIC CORPORATION**  
PERRYVILLE, MISSOURI

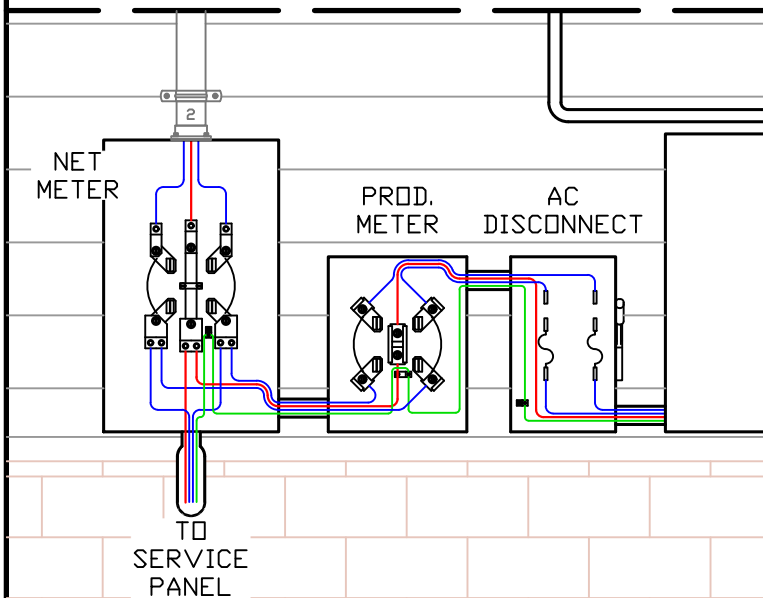
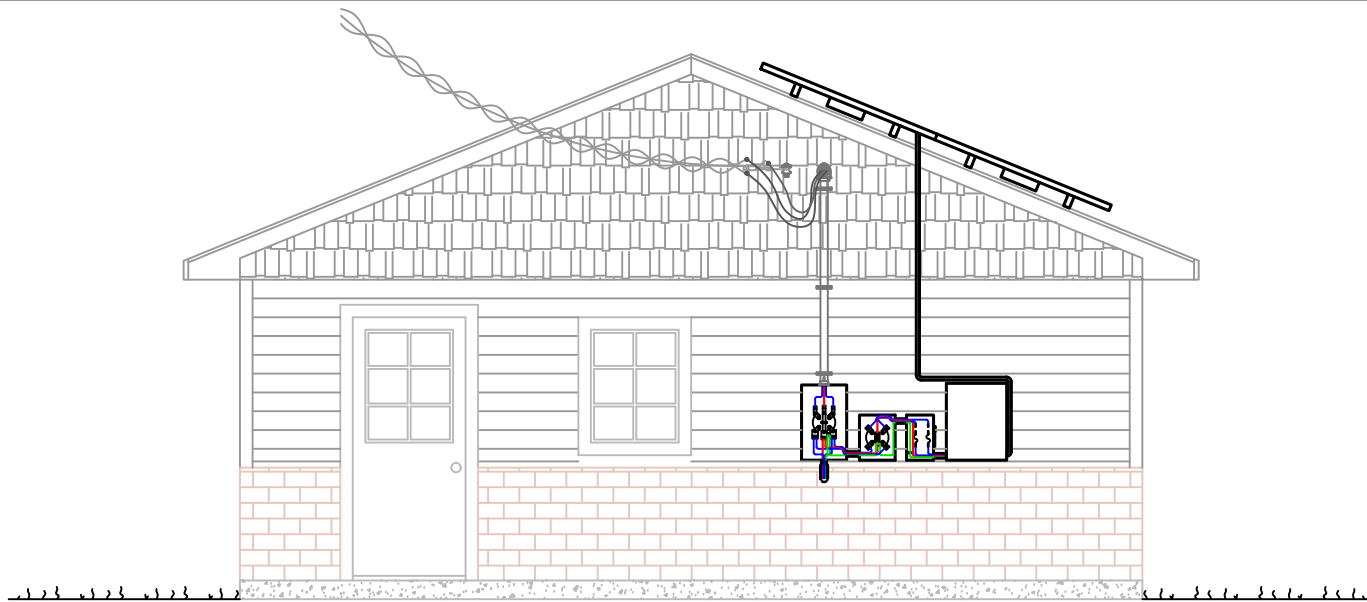
**INVERTER FED FROM**  
**LINE-SIDE TAP**

\* ALL METERS AND METER BASES ARE SUPPLIED BY CEC.

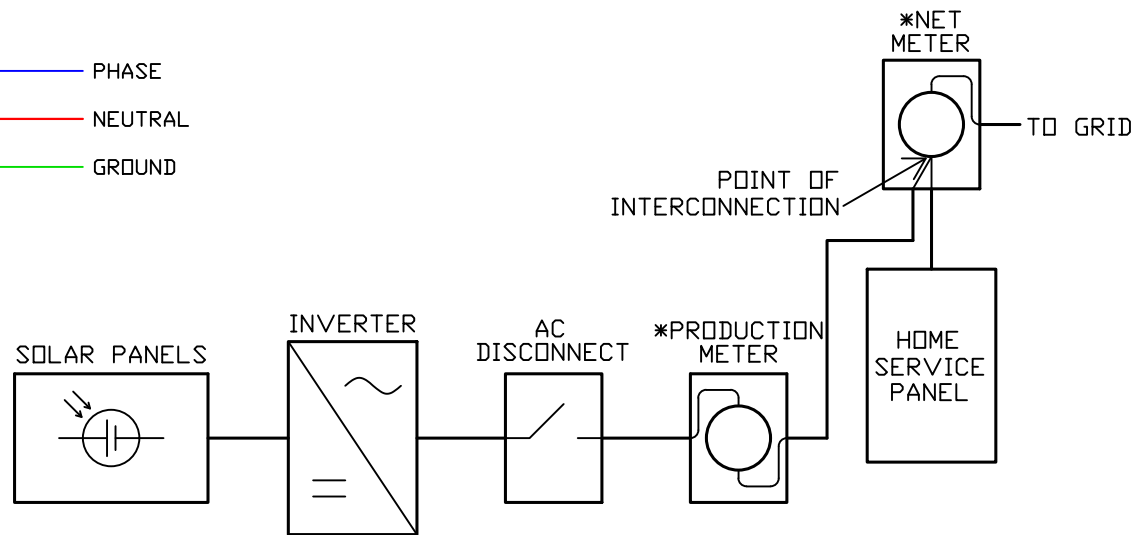
CEC REQUIRES INSTALLATION OF A LOCKABLE, MANUAL AC DISCONNECT DEVICE WITH VISIBLE OPENING ACCESSIBLE TO UTILITY.

AC DISCONNECT IS SUPPLIED BY MEMBER.

NO.	DATE	REVISION	DWN.	APPD.
PRJ.		DWN. E. ADKINS	CHKD. J. CATES	FILE:
DATE 3/1/2021	SCALE:	APPD. J. CATES		



- PHASE
- NEUTRAL
- GROUND



**NET METERING**

CITIZENS ELECTRIC CORPORATION  
PERRYVILLE, MISSOURI

INVERTER FED FROM  
DOUBLE-LUG METER BASE

NO.	DATE	REVISION	DWN.	APPD.
PRJ.				
DATE	3/1/2021	SCALE		
		DWN. E. ADKINS	CHKD. J. CATES	FILE
		APPD. J. CATES		

\* ALL METERS AND METER BASES ARE SUPPLIED BY CEC.

CEC REQUIRES INSTALLATION OF A LOCKABLE, MANUAL AC DISCONNECT DEVICE WITH VISIBLE OPENING ACCESSIBLE TO UTILITY.

AC DISCONNECT IS SUPPLIED BY MEMBER.